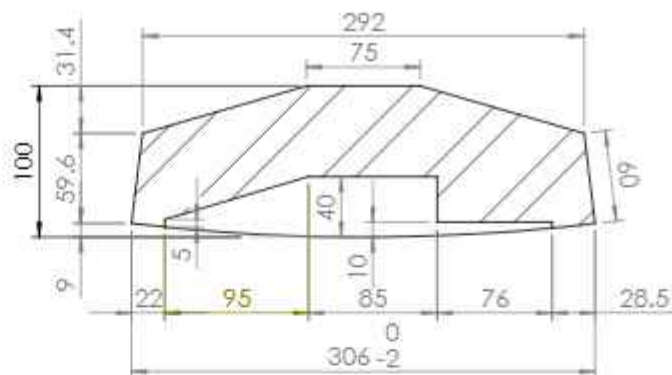
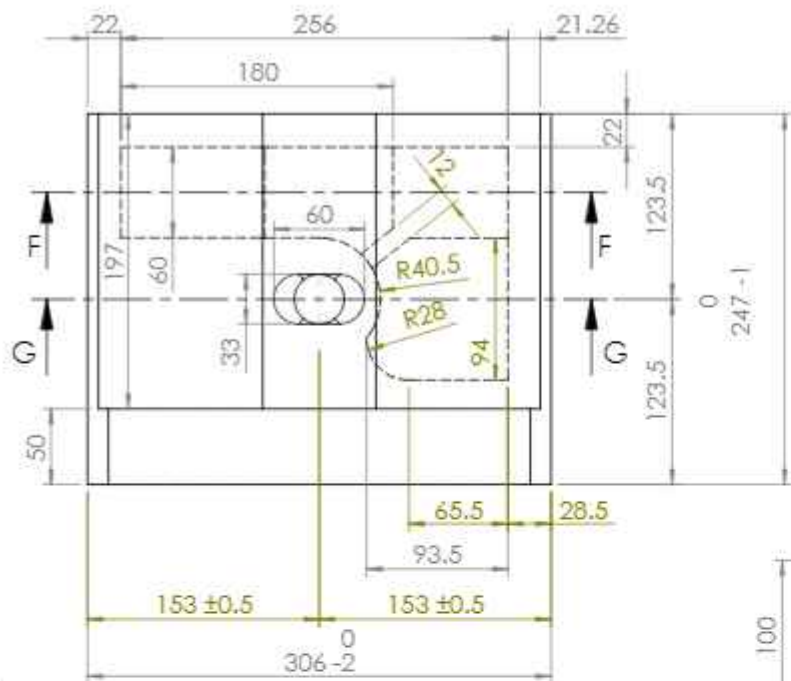


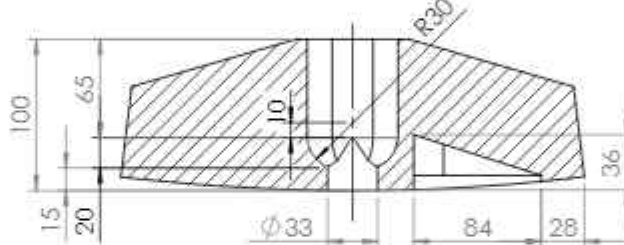
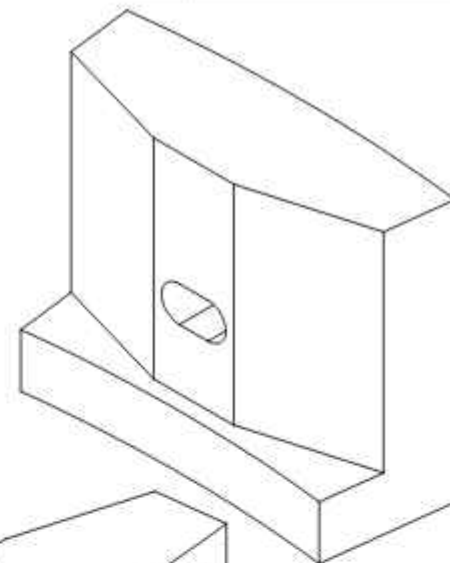
- Notes:
 1. All Dimensions In mm.
 2. The Other Tolerances Are DIN 7168 T2(7.86).
 3. Surface Finish: ∇
 4. One set is 14 pieces.

YASUJ CEMENT COMPANY

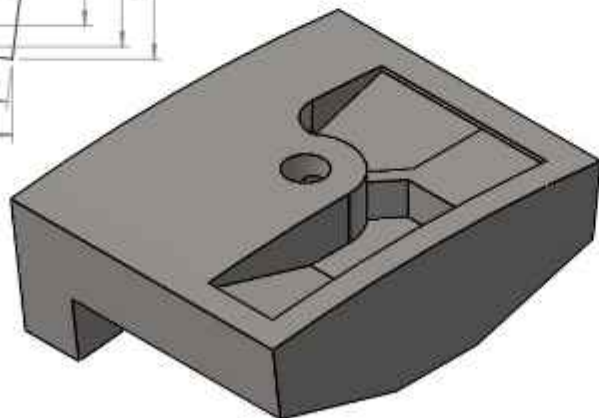
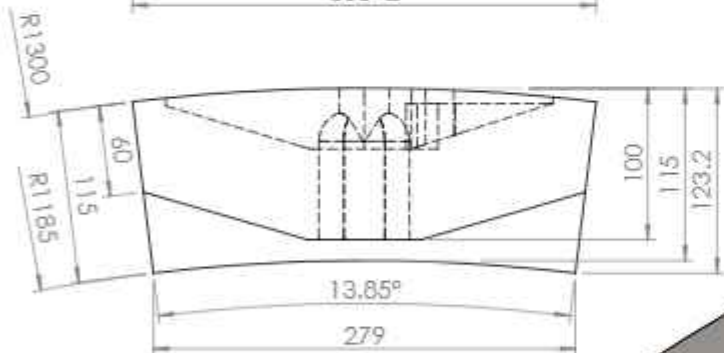
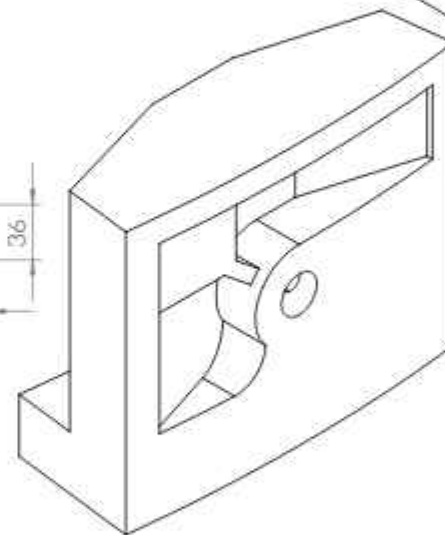
| | | | |
|-----------------|---------------|-----------------------------|--|
| Drawn | J.Behrouzpoor | TITLE: | دیسافرگم خروچی اتانچه یک آسیاب سیمان یک مگاتو |
| Design | | | |
| Check | A.h.Ahmadi | | |
| Approve | Kh.Nikbakht | | |
| MATERIAL: FMU29 | DWG NO. | ACC.to: 08.13 | Sheet: 1/1 |
| | Revision: 0 | Date: 30.04.98 | A4 |
| WEIGHT: 110 Kg | SCALE: 1:10 | Warehouse No: 521-12-12-122 | |



SECTION F-F



SECTION G-G



تذکره: از نظر ابعادی با نقشه (زره ردیف اول و آخر اتاقچه دوم آسیاب سیمان (IIS)) یکسان است ولی جنس متفاوتی دارد بنابراین مدل برای هر دو مورد یکسان است

- Notes:
 1. All Dimensions In mm.
 2. The Other Tolerances Are DIN 7168 T2(7.86).
 3. Surface Finish: ✓
 4. One Set is 26 Pieces.

YASUJ CEMENT COMPANY



زره ردیف آخر اتاقچه اول آسیاب
 سیمان یک تاپ S

Name
 Drawn **J.Behrouzpoor**
 Design
 Check **A.h.Ahmadi**
 Approve **Kh.Nikbakht**
 MATERIAL: FMU11

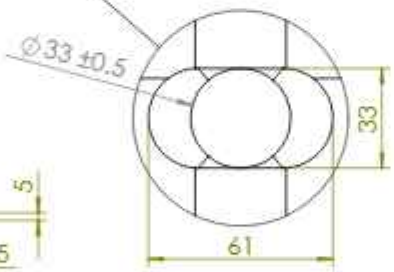
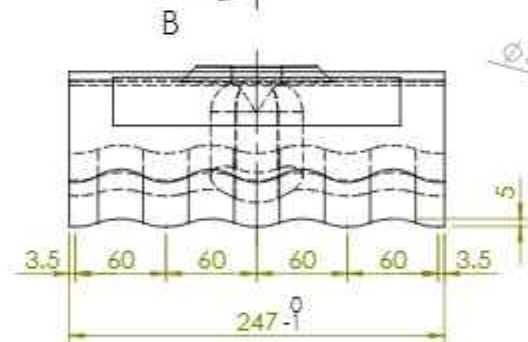
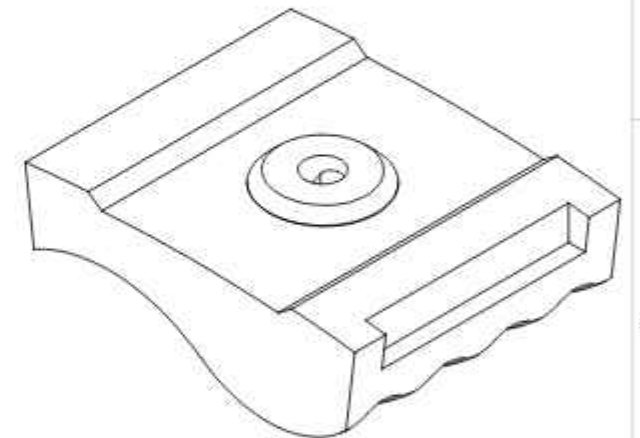
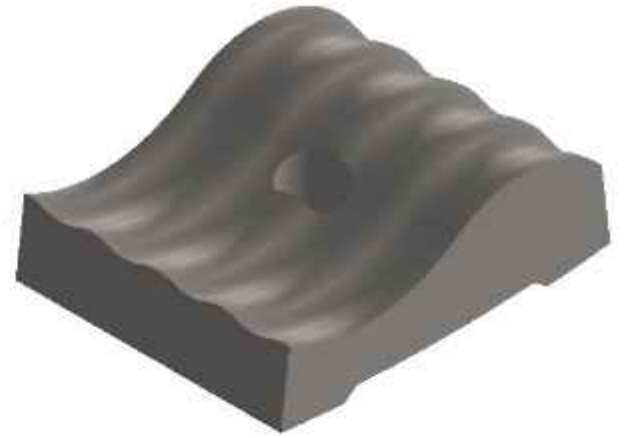
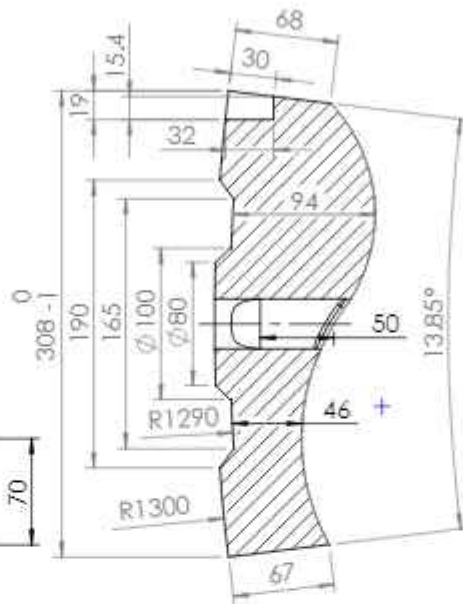
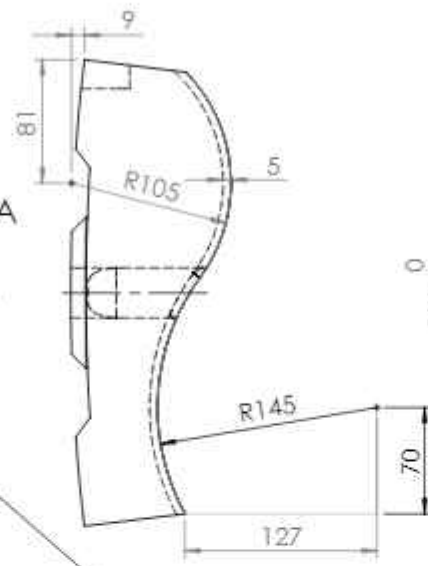
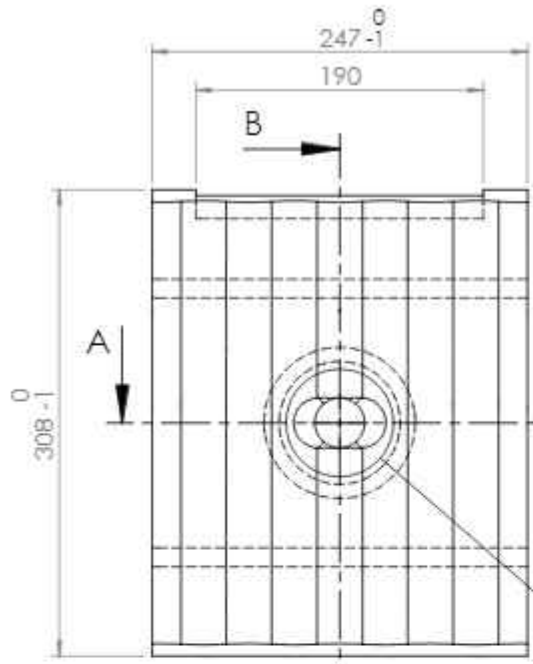
TITLE: **زره ردیف آخر اتاقچه اول آسیاب سیمان یک تاپ S**
 End Liner of First Compartment Liner Type:S

WEIGHT: 45.7 Kg

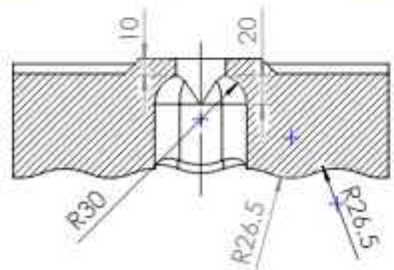
DWG NO.
 Revision: 0

ACC.to: 08.13
 Date: 21.09.97
 Warehouse No: 521-12-12-115

Sheet:
 1/1
 A4



DETAIL C
SCALE 2 : 5



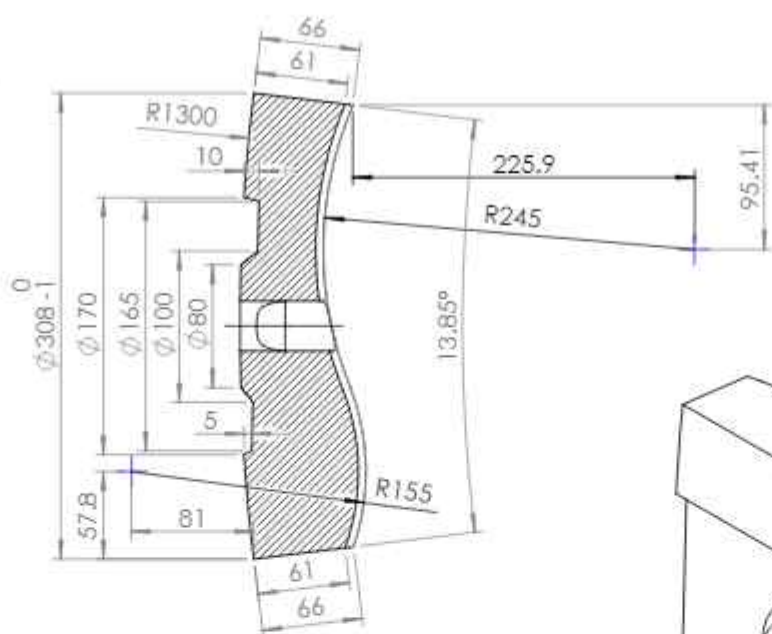
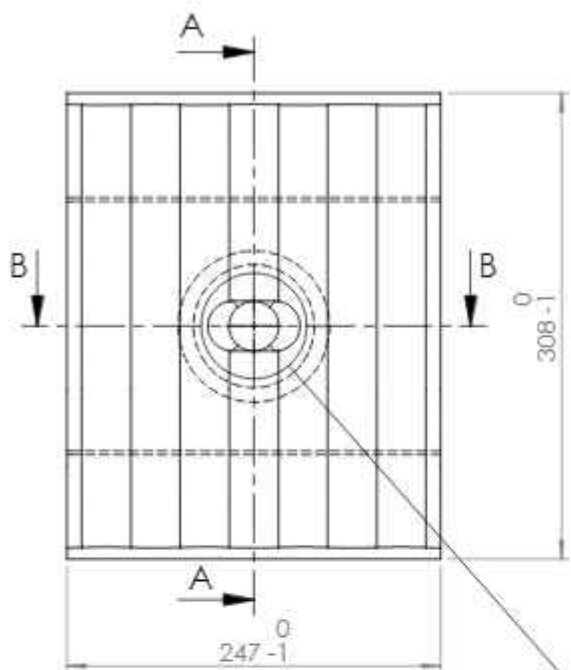
SECTION A-A

- Notes:
 1. All Dimensions In mm.
 2. The Other Tolerances Are DIN 7168 T2(7.86).
 3. Surface Finish: \checkmark
 4. One set is 165 pieces.

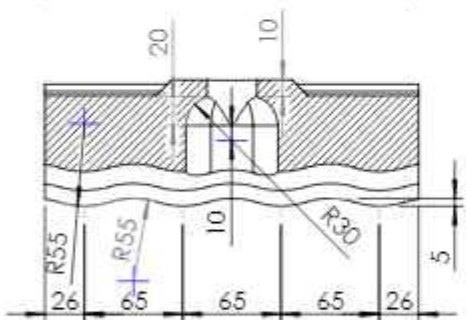
YASUJ CEMENT COMPANY



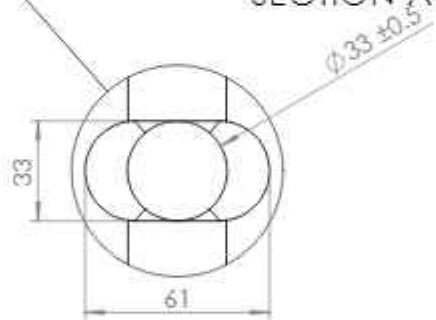
| | | | | | | |
|---------|---------------|---|----------------------------|-----------------|----------------|-----------------------------|
| Drawn | J.Behrouzpoor | TITLE: زره بدنه اتاقچه یک آسیاب سیمان یک (XB) | First Compartment Liner XB | Sheet: | 1/1 | |
| Design | | | | DWG NO. | ACC.to: 08.13 | A4 |
| Check | A.h.Ahmadi | | | Revision: 0 | Date: 20.09.97 | |
| Approve | Kh.Nikbakht | | | WEIGHT: 38.2 Kg | SCALE: 1:5 | Warehouse No: 521-12-12-114 |



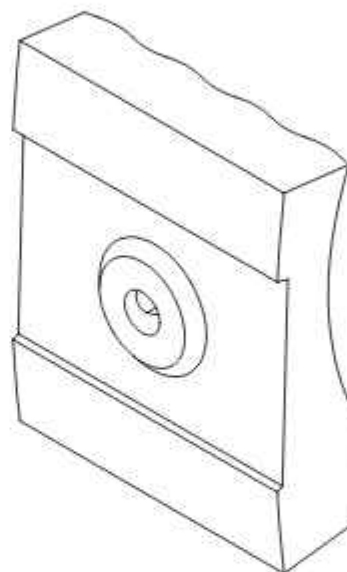
SECTION A-A



SECTION B-B



DETAIL C
SCALE 2 : 5



- Notes:
 1. All Dimensions In mm.
 2. The Other Tolerances Are DIN 7168 T2(7.86).
 3. Surface Finish: ∇
 4. One set is 165 pieces.

**YASUJ CEMENT
COMPANY**



زره بدنه اتاقچه یک آسیاب
سیمان یک (XA)

Name
 Drawn **J.Behrouzpoor**
 Design
 Check **A.h.Ahmadi**
 Approve **Kh.Nikbakht**
 MATERIAL: FMU11

TITLE:
 First Compartment Liner XA

DWG NO.

Revision: 0

ACC.to: 08.13

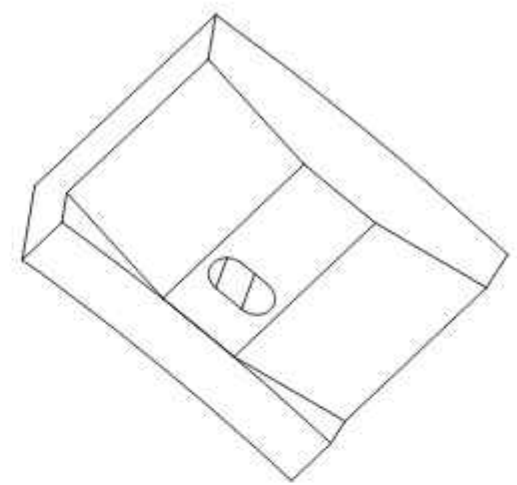
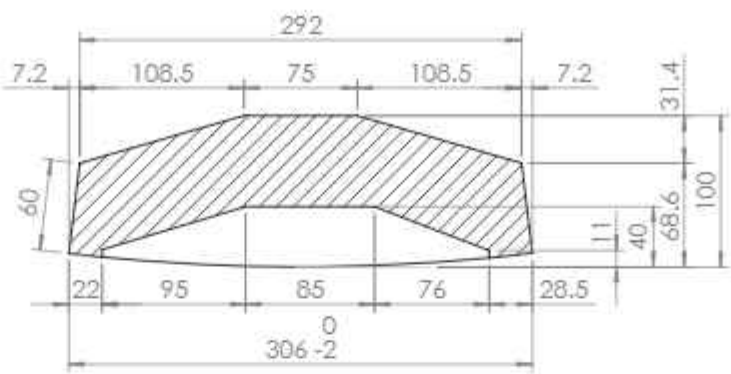
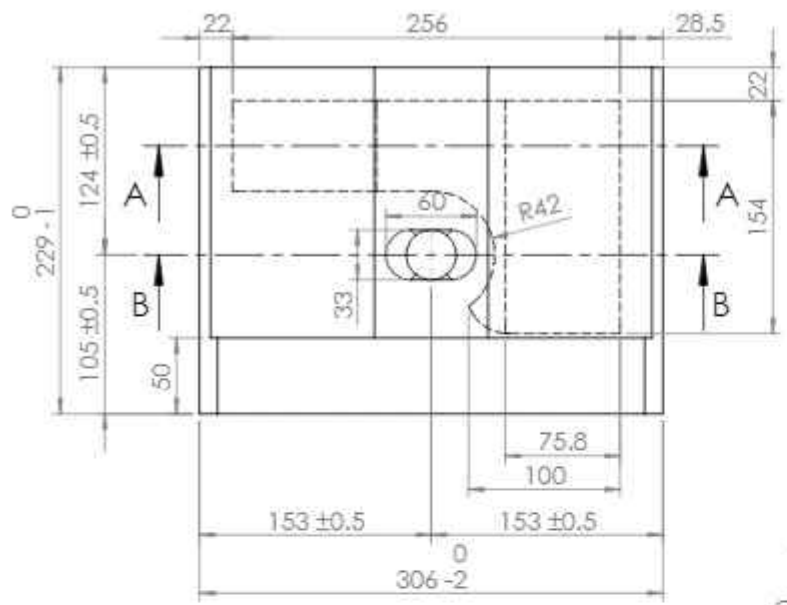
Date: 14.07.97

Sheet:
1/1
A4

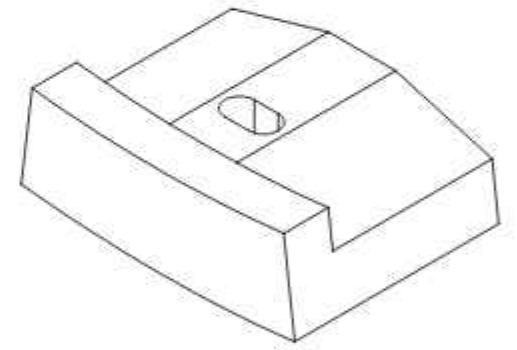
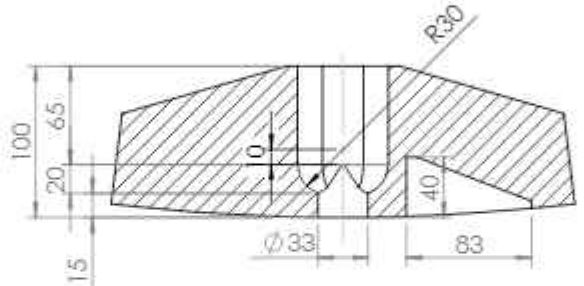
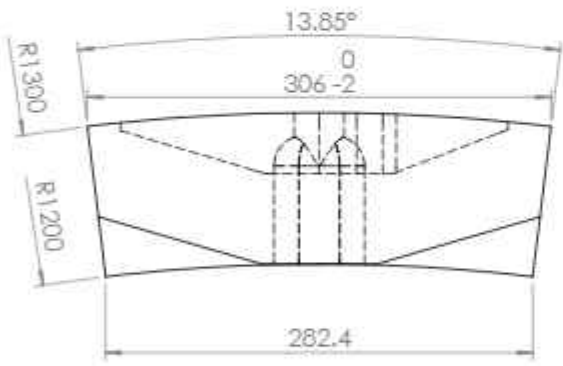
WEIGHT: 32.8 Kg

SCALE: 1:5

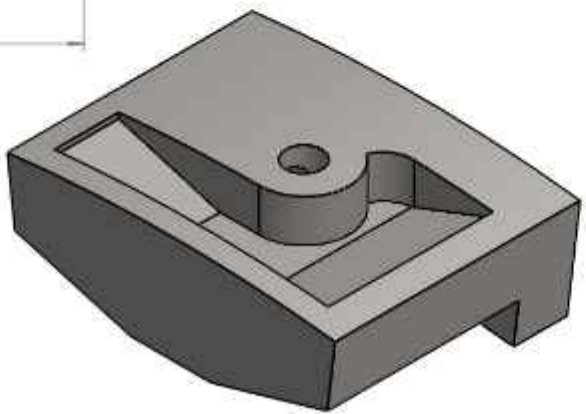
Warehouse No: 521-12-12-113



SECTION A-A



SECTION B-B



- Notes:
 1. All Dimensions In mm.
 2. The Other Tolerances Are DIN 7168 T2(7.86).
 3. Surface Finish: $\sqrt{}$
 4. One set is 26 peices.

YASUJ CEMENT COMPANY



| | | | |
|-----------------|---|--|------------|
| Name | TITLE: زره ردیف اول اتاقچه یک آسیاب سیمان ۱ | | |
| Drawn | J.Behrouzpoor | First Liner of First compartment Liner Type:IS | |
| Design | | | |
| Check | A.h.Ahmadi | | |
| Approve | Kh.Nikbakht | | |
| MATERIAL: FMU11 | DWG NO. | ACC.to: 08.13 | Sheet: 1/1 |
| | Revision: 0 | Date: 21.09.97 | A4 |
| WEIGHT: 40.2 Kg | SCALE: 1:5 | Warehouse No: 521-12-12-112 | |