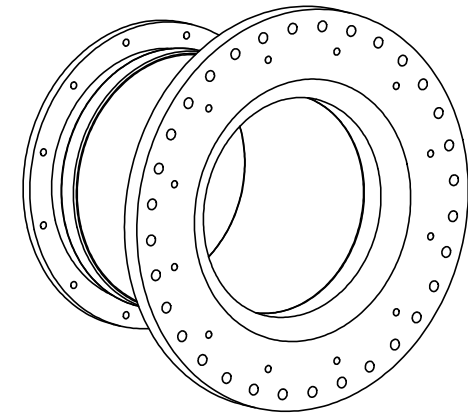
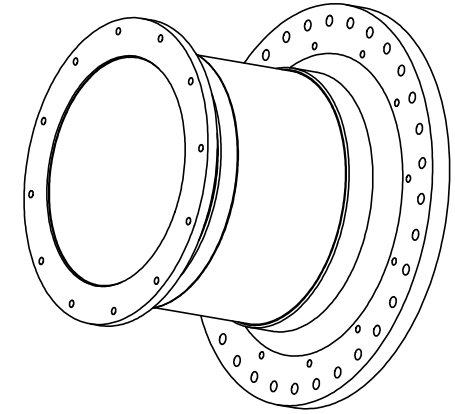


SECTION D-D  
SCALE 1 : 30



- Notes:  
 1. All Dimensions In mm.  
 2. The Other Tolerances Are DIN 7168 T2(7.86).  
 3. Surface Finish:  $\sqrt{3.2} / (\sqrt{0.8})$

**YASUJ CEMENT COMPANY**



Name		TITLE: <b>ترونیون ورودی آسیاب سیمان</b>		
Drawn	<b>J.Behrouzpoor</b>	Inlet Tronion		
Design				
Check	<b>A.h.Ahmadi</b>			
Approve	<b>Kh.Nikbakht</b>			
MATERIAL:		DWG NO.	ACC.to: 08.13,14	Sheet: 1/1
GS30Mn5		Revision: 0	Date: 12.12.93	A4
WEIGHT: 3537 kg		SCALE: 1:50	Warehouse No:	