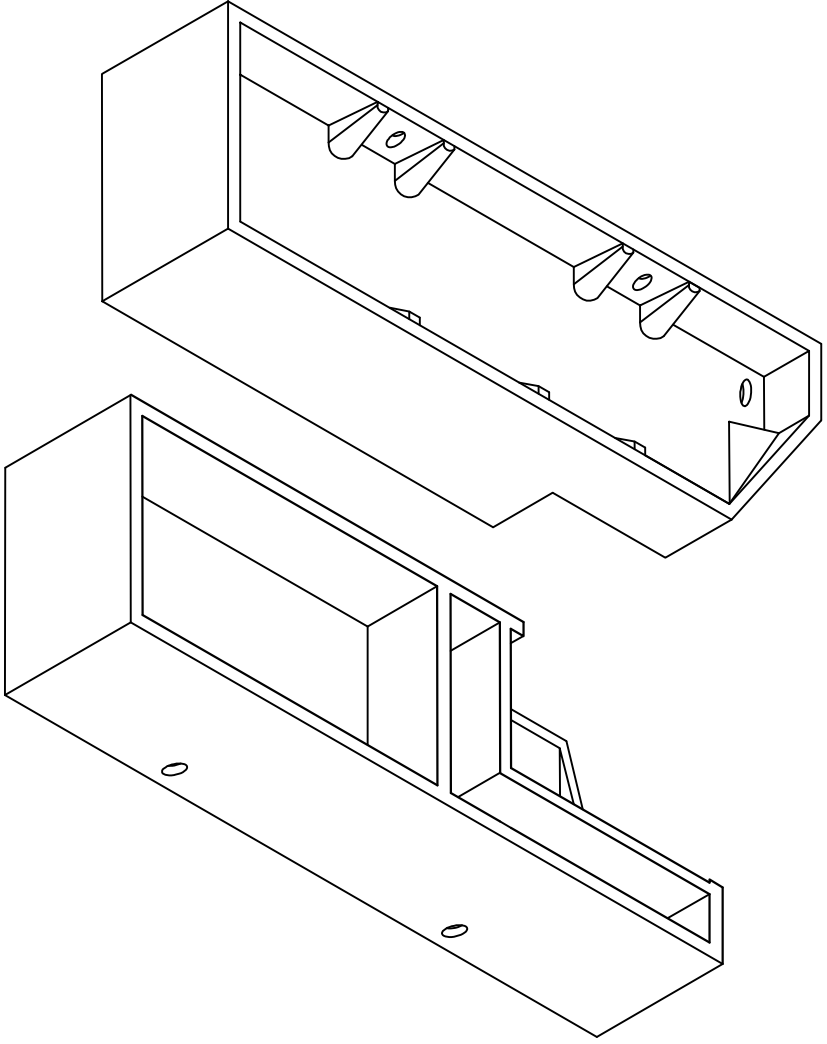


Detail A



Note:
1. All dimensions in mm.

2. $\nabla^{12.5}$

Rev: 2	Date: 26.07.86	Checked By: J. Behrouzpoor	KOHCILUYEH CEMENT COMPANY
Drawn By: O. Najafi	Design By:	Approved By: Kh. Nikbakht	
Code: NC-3090A	Material: 1.4848	Acc. to: 04C.01	
Scale: N.T.S	PART No: Grate(Left side Grate Cooler-G)	وزنه بیل سمت چپ	Weight: 81.5 kg
			Drawing No: